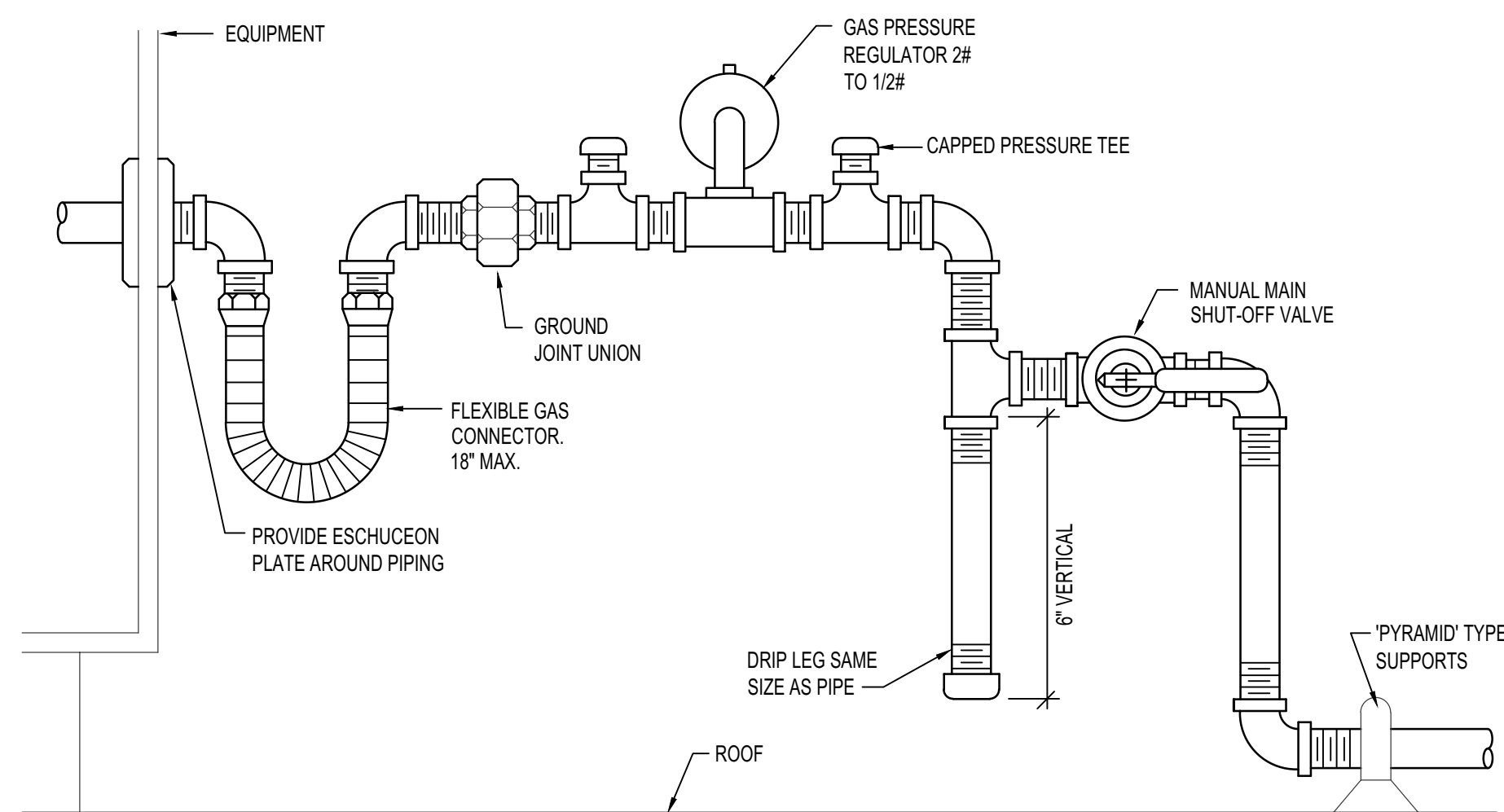
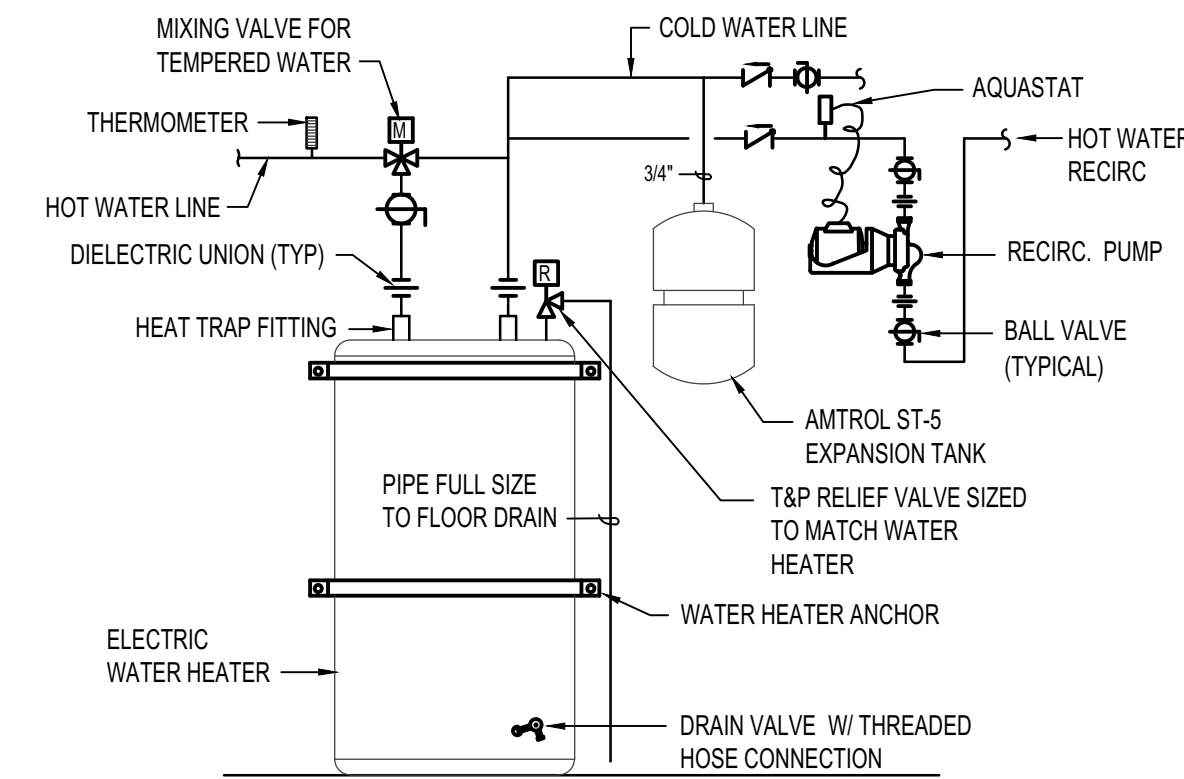


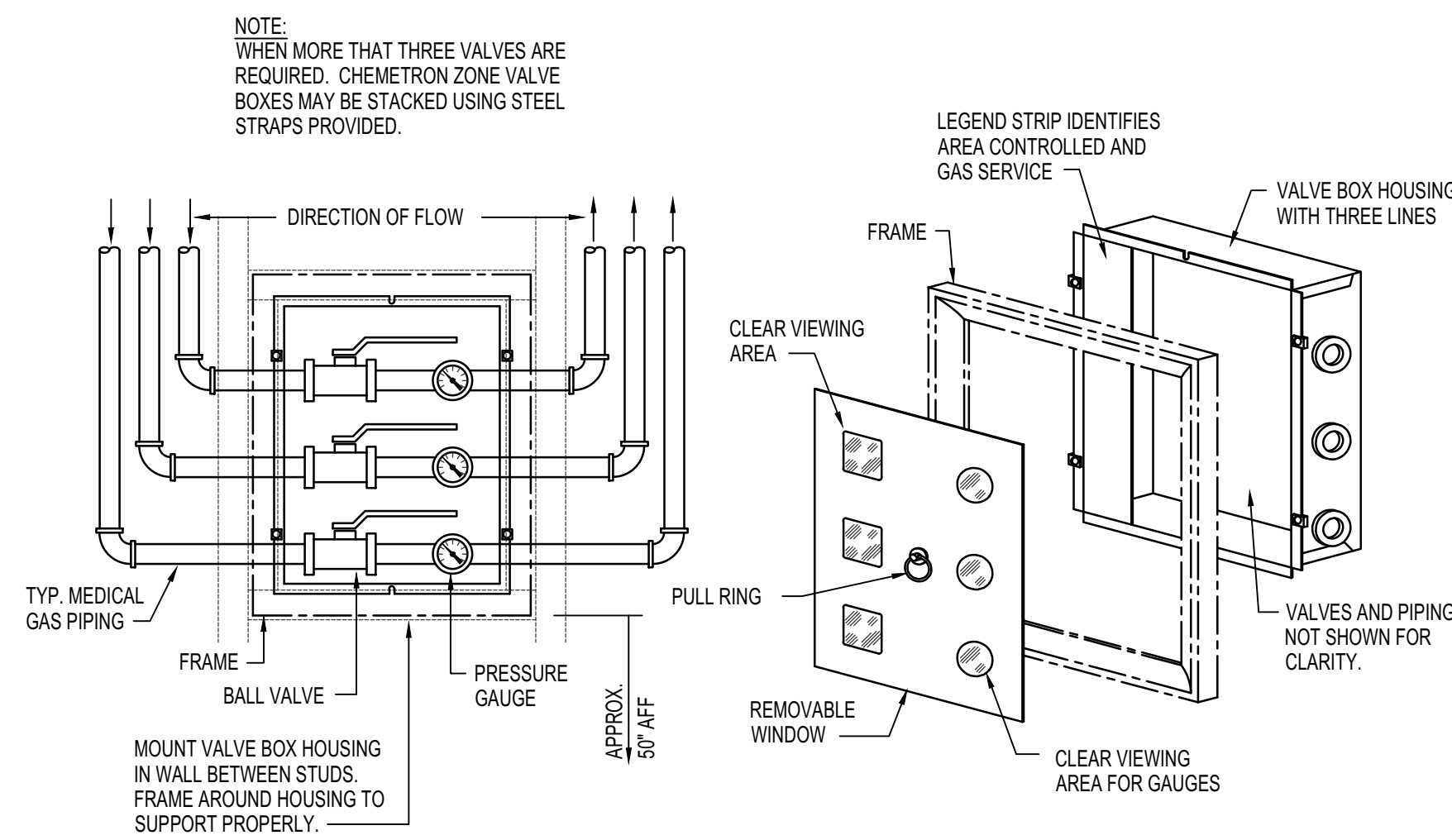
**A TRAP PRIMER DETAIL**  
NO SCALE



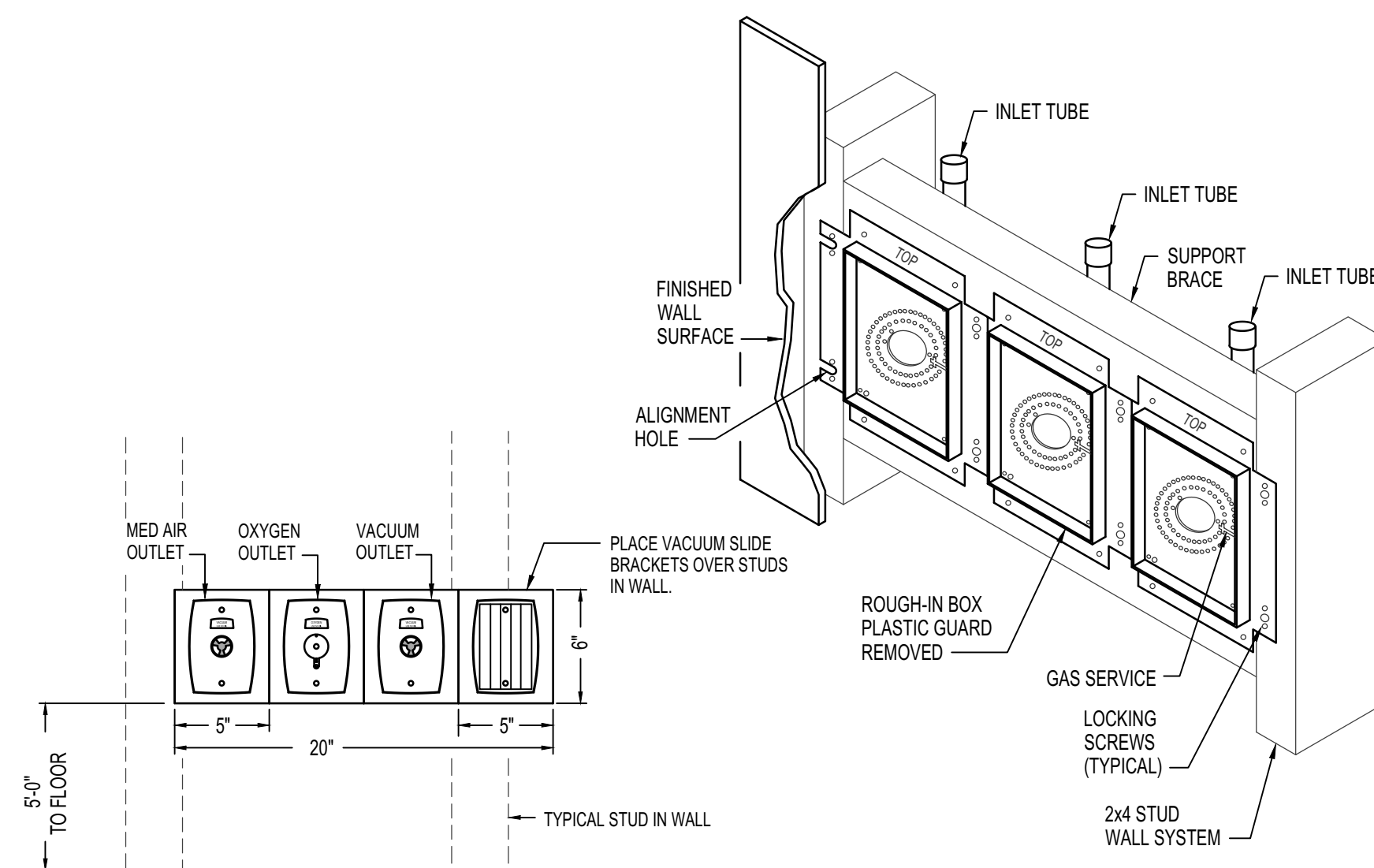
**B ROOF TOP GAS PRESSURE REGULATOR DETAIL**  
NO SCALE



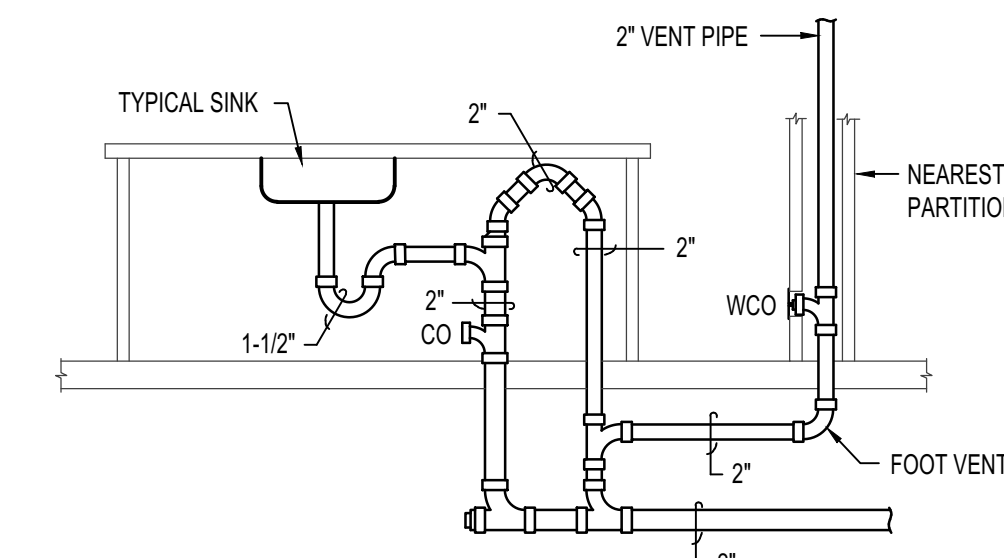
**C WATER HEATER PIPING DETAIL**  
NO SCALE



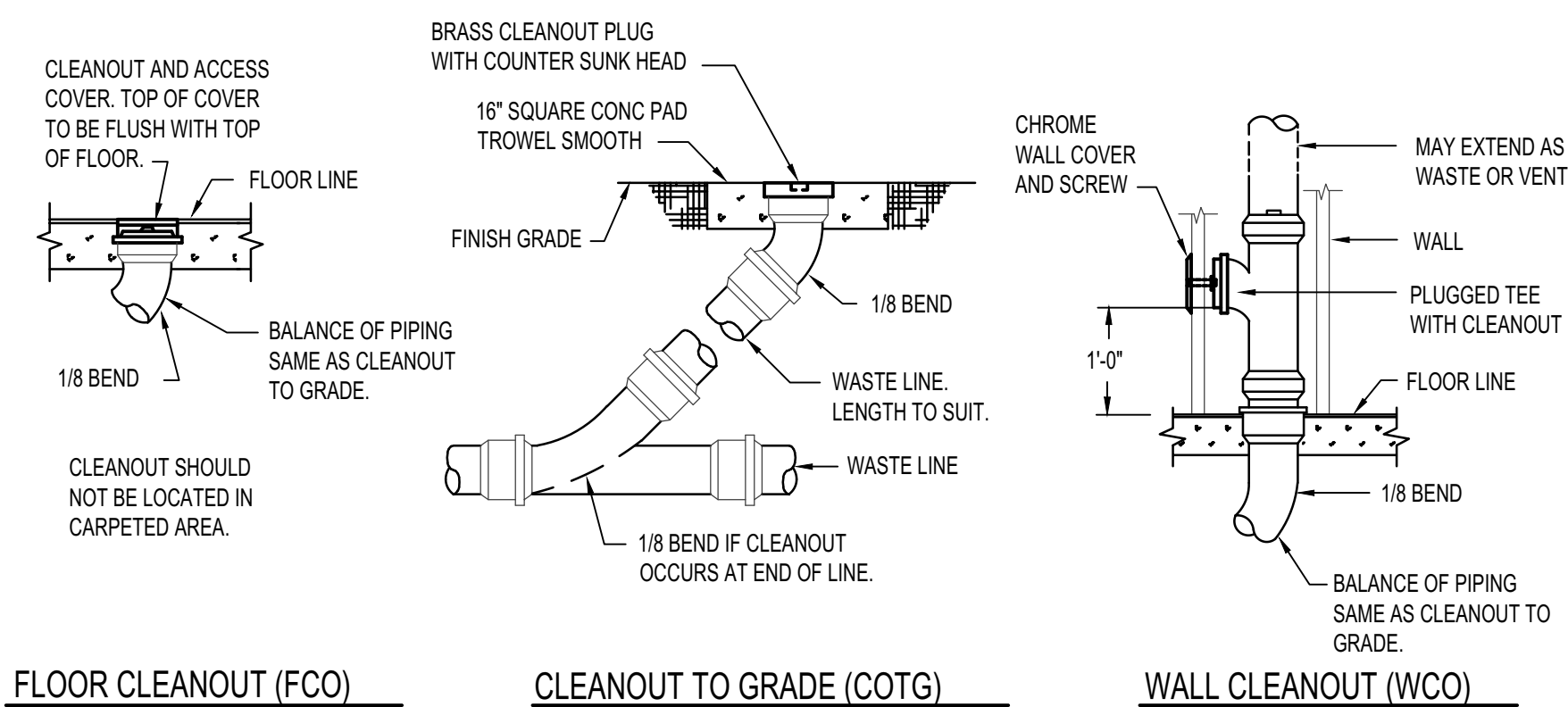
**D MEDICAL GASES SHUT-OFF VALVE BOX DETAIL**  
NO SCALE



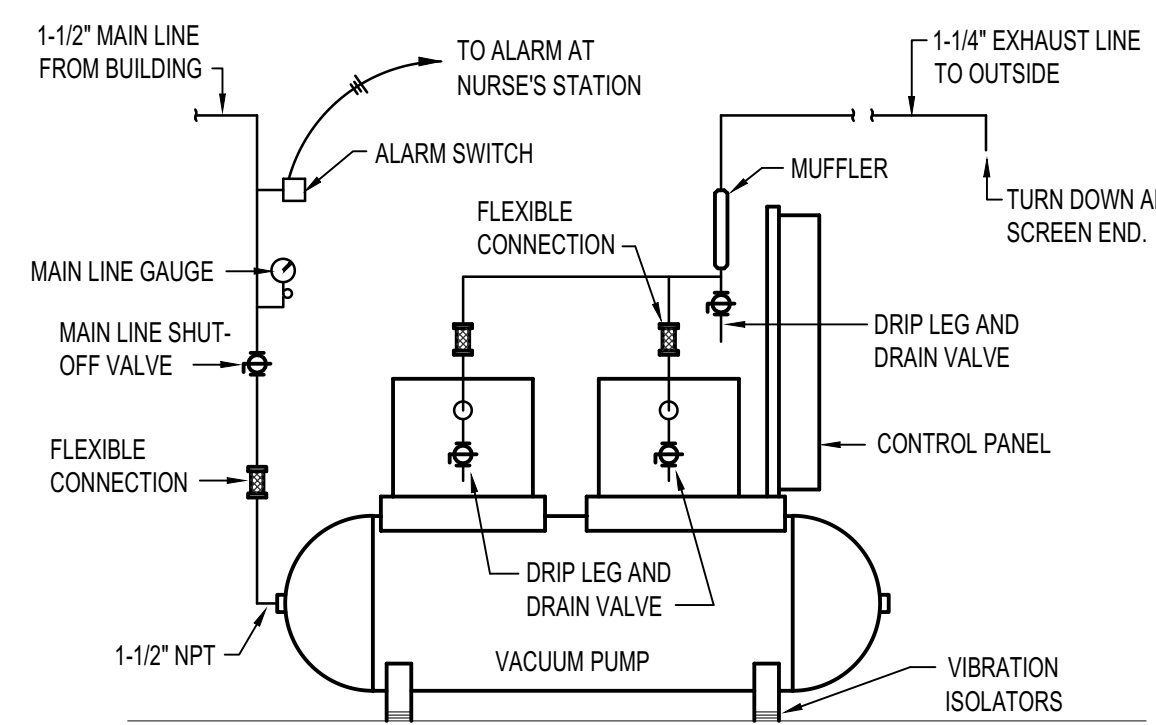
**E MEDICAL GAS OUTLET DETAILS**  
NO SCALE  
(SEE ELEVATIONS 2/A7.1, 8/A7.1, AND 13/A7.1 FOR ACTUAL PLACEMENT OF GAS OUTLETS)



**F ISLAND SINK VENTING DETAIL**  
NO SCALE



**G CLEAN OUT DETAILS**  
NO SCALE



**H VACUUM PUMP PIPING DIAGRAM**  
NO SCALE

ORIGINAL DRAWING SIGNED BY: DWAYNE C. SUDWEEKS  
DATE ORIGINAL SIGNED: Oct 30, 2020  
ORIGINAL ON FILE AT ENGINEERED SYSTEMS ASSOCIATES  
1355 EAST CENTER, POCATELLO, IDAHO 83201

**Engineered Systems Associates**  
1355 EAST CENTER  
POCATELLO, IDAHO 83201  
PHONE: (208) 233-0501  
FAX: (208) 233-0529  
EMAIL: esa@engsystems.com  
ESA JOB NUMBER: 19069

DBS APPROVAL

BLD2009-00014  
**REVIEWED FOR CODE COMPLIANCE**  
This approval shall not be construed to be an approval of any violation of, or variance from, Idaho's adopted codes, standards, laws or rules applicable to this project.  
**SEPARATE BUILDING PERMIT REQUIRED FOR CONSTRUCTION**

COT NURSING DPW#17240, RFC BUILDING  
IDAHO STATE UNIVERSITY  
777 MEMORIAL DRIVE, POCATELLO, IDAHO

PLUMBING DETAILS

REVISIONS:  
DATE: OCT 20  
DRAWING NO. P2.2  
JOB NO. 1912  
OF

JENSEN HAYES SHROPSHIRE ARCHITECTS, P.A.  
COPYRIGHT 2020  
125 NORTH GARFIELD  
POCATELLO, IDAHO 83204  
(208) 232-1223

**JHSA**  
JENSEN HAYES SHROPSHIRE ARCHITECTS, P.A.

F:\19120691 ISU\_COT\_Nursing\_Remodel\19120691-P2.2.dwg Nov 04, 2020 - 8:41am